



326Ex

Spare parts

Ersatzteile

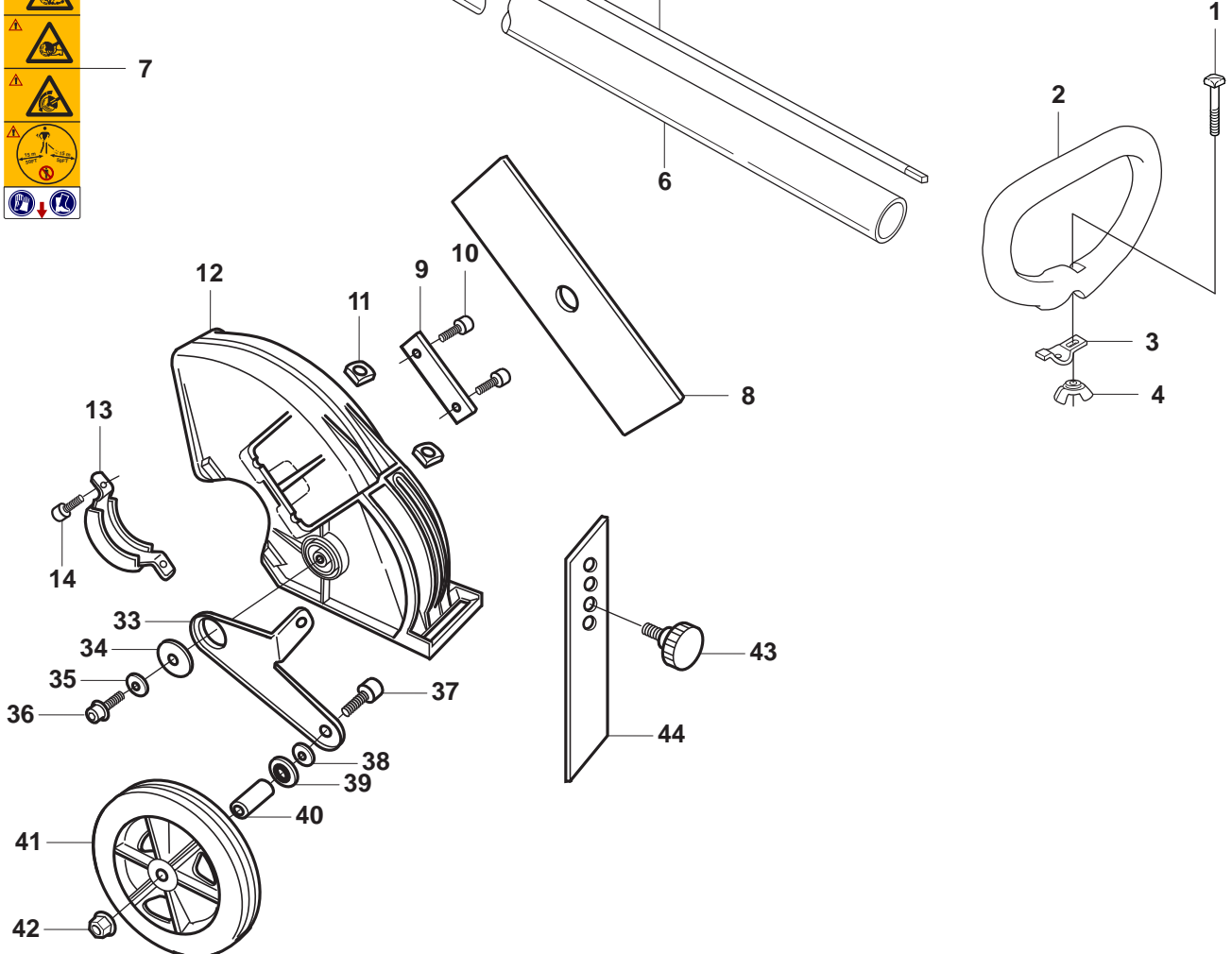
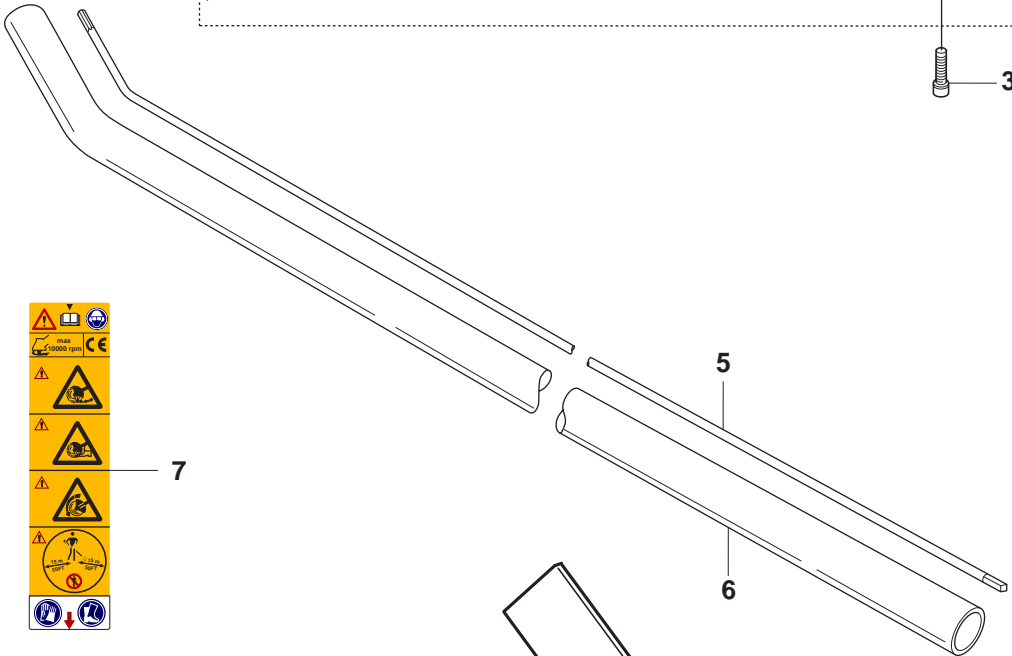
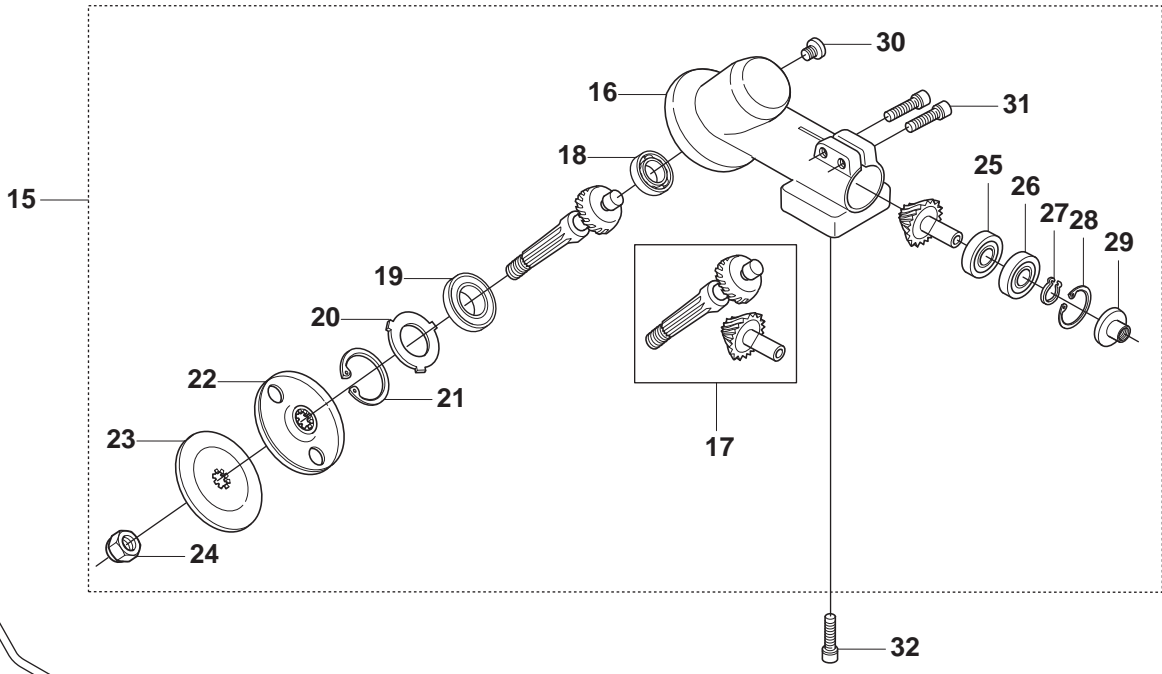
Pièces détachées

Reserve onderdelen

Repuestos

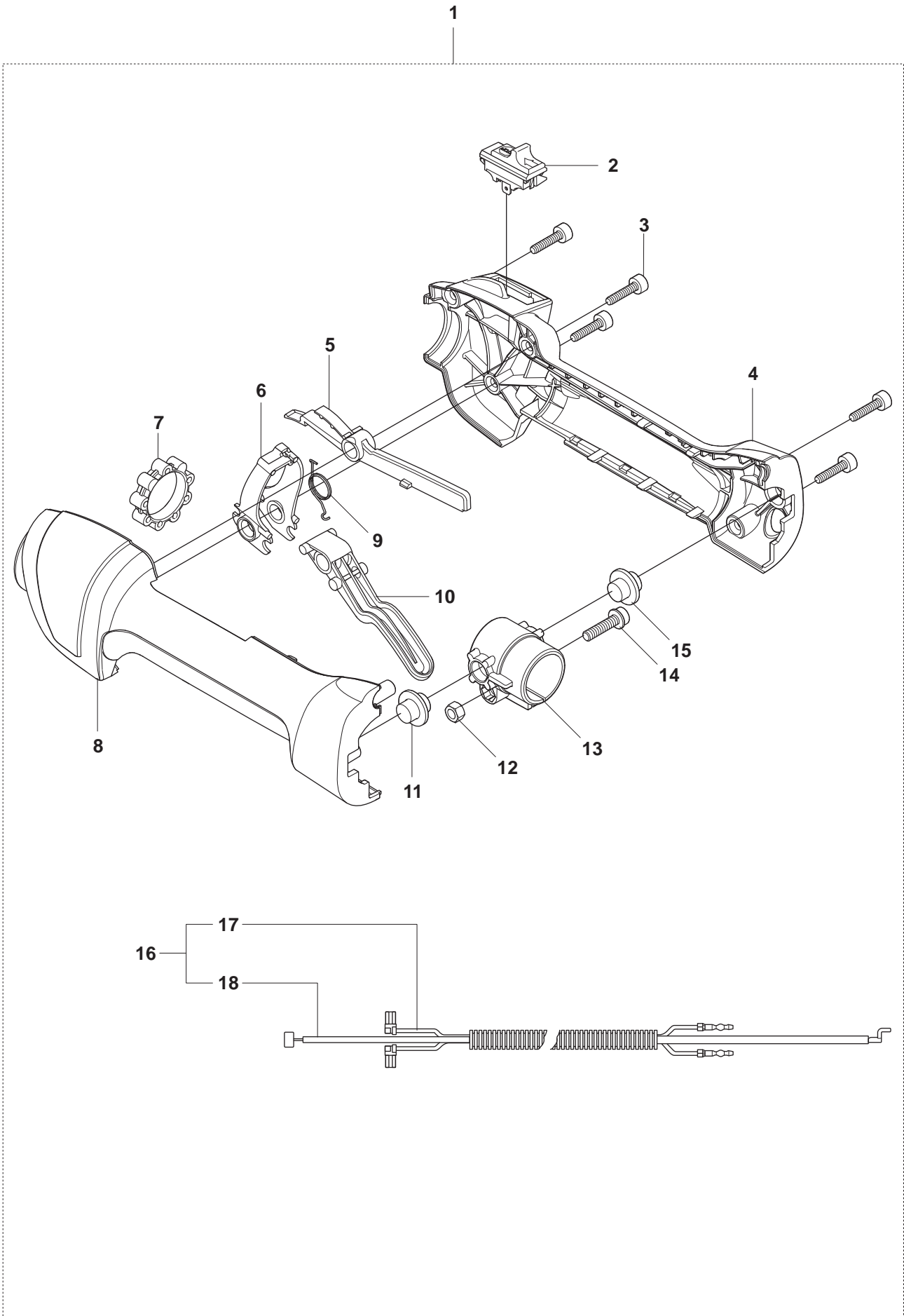
Reservdelar

A 326Ex EDGER ATTACHMENT



| Position | Article | Quantity | Notes | Kit |
|----------|--------------|----------|-------|-----|
| 1 | 503 21 98-35 | 1 | | |
| 2 | 537 07 68-02 | 1 | | |
| 3 | 537 04 25-01 | 1 | | |
| 4 | 503 22 26-01 | 1 | | |
| 5 | 503 84 69-01 | 1 | | |
| 6 | 537 03 83-01 | 1 | | |
| 7 | 503 84 78-01 | 1 | | |
| 8 | 503 84 82-02 | 1 | | |
| 9 | 503 84 77-01 | 1 | | |
| 10 | 503 20 07-25 | 2 | | |
| 11 | 502 19 71-01 | 2 | | |
| 12 | 503 84 65-01 | 1 | | |
| 13 | 503 84 81-01 | 1 | | |
| 14 | 725 53 68-56 | 2 | | |
| 15 | 502 21 92-06 | 1 | | |
| 16 | 503 85 32-01 | 1 | | 15 |
| 17 | 503 84 90-01 | 1 | | 15 |
| 18 | 738 21 99-00 | 1 | | 15 |
| 19 | 738 22 01-19 | 1 | | 15 |
| 20 | 503 70 55-01 | 1 | | 15 |
| 21 | 735 31 31-10 | 1 | | 15 |
| 22 | 503 89 58-01 | 1 | | 15 |
| 23 | 503 70 29-02 | 1 | | 15 |
| 24 | 503 85 63-01 | 1 | | 15 |
| 25 | 738 21 99-00 | 1 | | 15 |
| 26 | 738 21 99-01 | 1 | | 15 |
| 27 | 735 31 11-00 | 1 | | 15 |
| 28 | 735 31 25-10 | 1 | | 15 |
| 29 | 503 69 67-01 | 1 | | 15 |
| 30 | 503 20 15-01 | 1 | | 15 |
| 31 | 503 20 07-25 | 1 | | 15 |
| 32 | 503 20 07-25 | 4 | | |
| 33 | 503 84 67-01 | 1 | | |
| 34 | 734 11 74-41 | 1 | | |
| 35 | 503 23 43-02 | 1 | | |
| 36 | 503 21 06-16 | 1 | | |
| 37 | 725 54 61-51 | 1 | | |
| 38 | 734 11 64-01 | 1 | | |
| 39 | 503 26 15-01 | 1 | | |
| 40 | 503 84 73-01 | 1 | | |
| 41 | 503 84 74-01 | 1 | | |
| 42 | 503 22 00-01 | 1 | | |
| 43 | 503 84 80-01 | 1 | | |
| 44 | 503 84 68-01 | 1 | | |

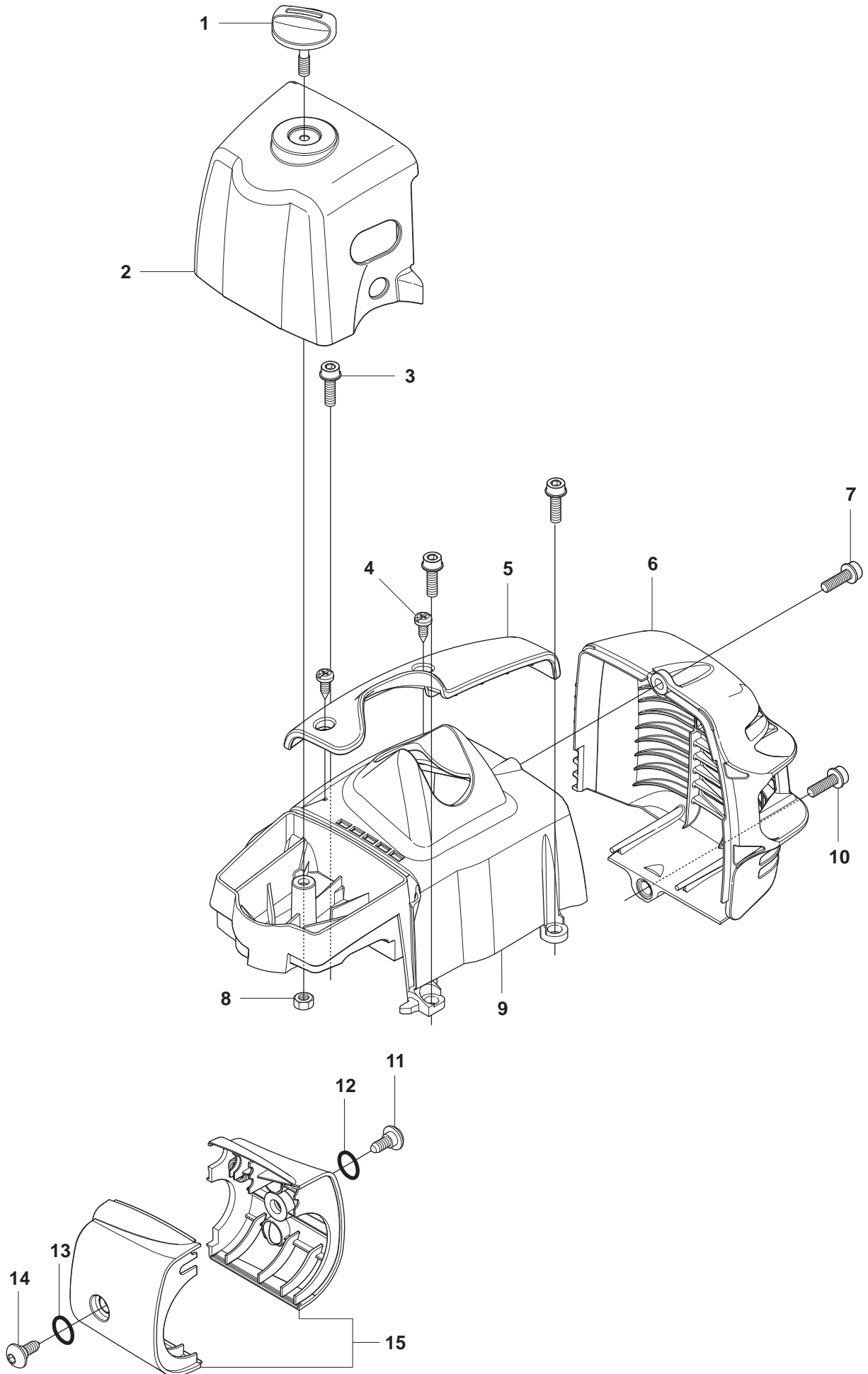
B 326Ex
THROTTLE CONTROLS



THROTTLE CONTROLS

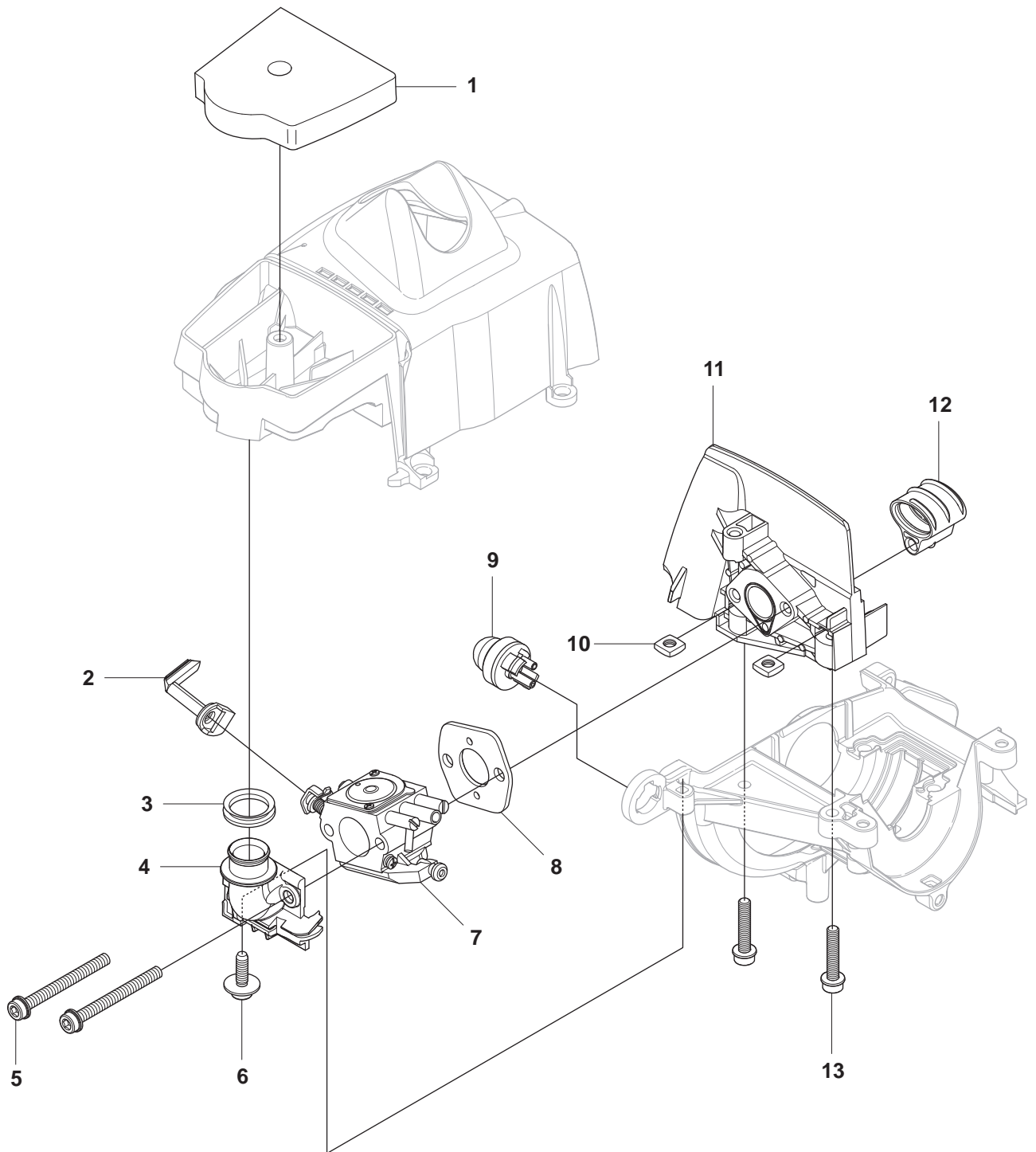
| Position | Article | Quantity | Notes | Kit |
|----------|--------------|----------|-------|------|
| 1 | 544 14 36-04 | 1 | | |
| 2 | 537 41 90-01 | 1 | | 1 |
| 3 | 503 21 66-18 | 5 | | 1 |
| 4 | 544 10 02-02 | 1 | | 1 |
| 5 | 503 87 80-01 | 1 | | 1 |
| 6 | 503 91 81-01 | 1 | | 1 |
| 7 | 503 96 14-01 | 1 | | 1 |
| 8 | 544 10 03-02 | 1 | | 1 |
| 9 | 544 10 08-01 | 1 | | 1 |
| 10 | 503 87 79-03 | 1 | | 1 |
| 11 | 544 10 17-02 | 1 | | 1 |
| 12 | 731 23 14-01 | 1 | | 1 |
| 13 | 544 11 21-01 | 1 | | 1 |
| 14 | 503 20 03-20 | 1 | | 1 |
| 15 | 544 10 17-02 | 1 | | 1 |
| 16 | 502 65 13-01 | 1 | | 1 |
| 17 | 502 53 16-01 | 1 | | 1,16 |
| 18 | 544 17 17-03 | 1 | | 1,16 |

C 326Ex
COVERS



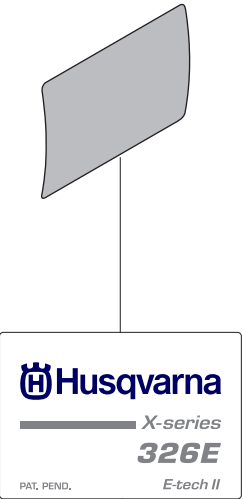
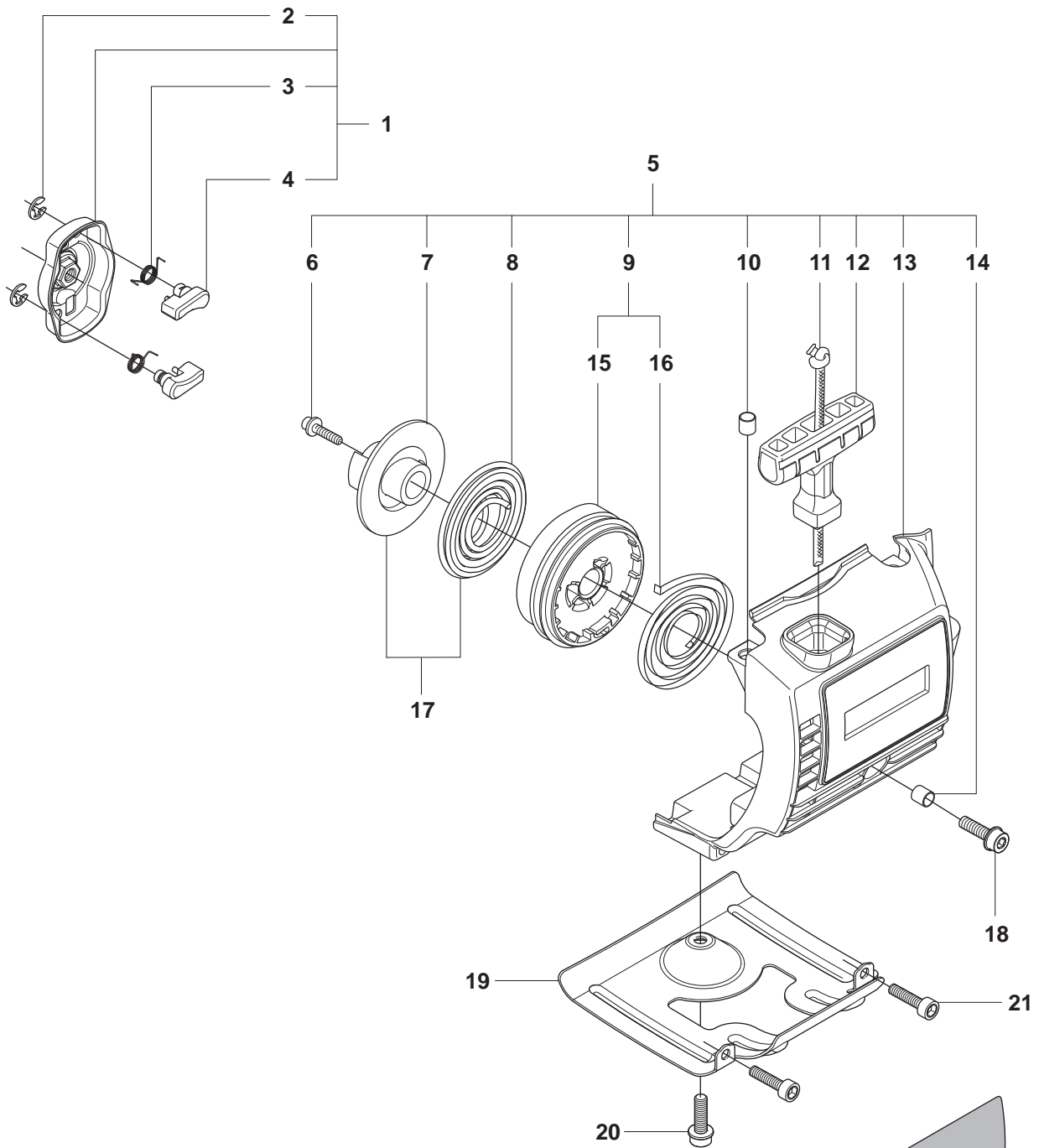
| Position | Article | Quantity | Notes | Kit |
|----------|--------------|----------|-------|-----|
| 1 | 537 21 32-10 | 1 | | |
| 2 | 502 48 13-01 | 1 | | |
| 3 | 503 20 03-16 | 4 | M5x16 | |
| 4 | 503 21 35-12 | 2 | | |
| 5 | 502 48 16-01 | 1 | | |
| 6 | 544 84 81-01 | 1 | | |
| 7 | 503 21 68-20 | 1 | | |
| 8 | 503 22 24-01 | 1 | | |
| 10 | 502 48 14-01 | 1 | | |
| 11 | 503 20 03-16 | 1 | | |
| 12 | 503 96 13-01 | 1 | | |
| 13 | 740 42 06-00 | 1 | | |
| 14 | 740 42 06-00 | 1 | | |
| 15 | 503 96 13-01 | 1 | | |

D 326Ex
CARBURETOR & AIR FILTER



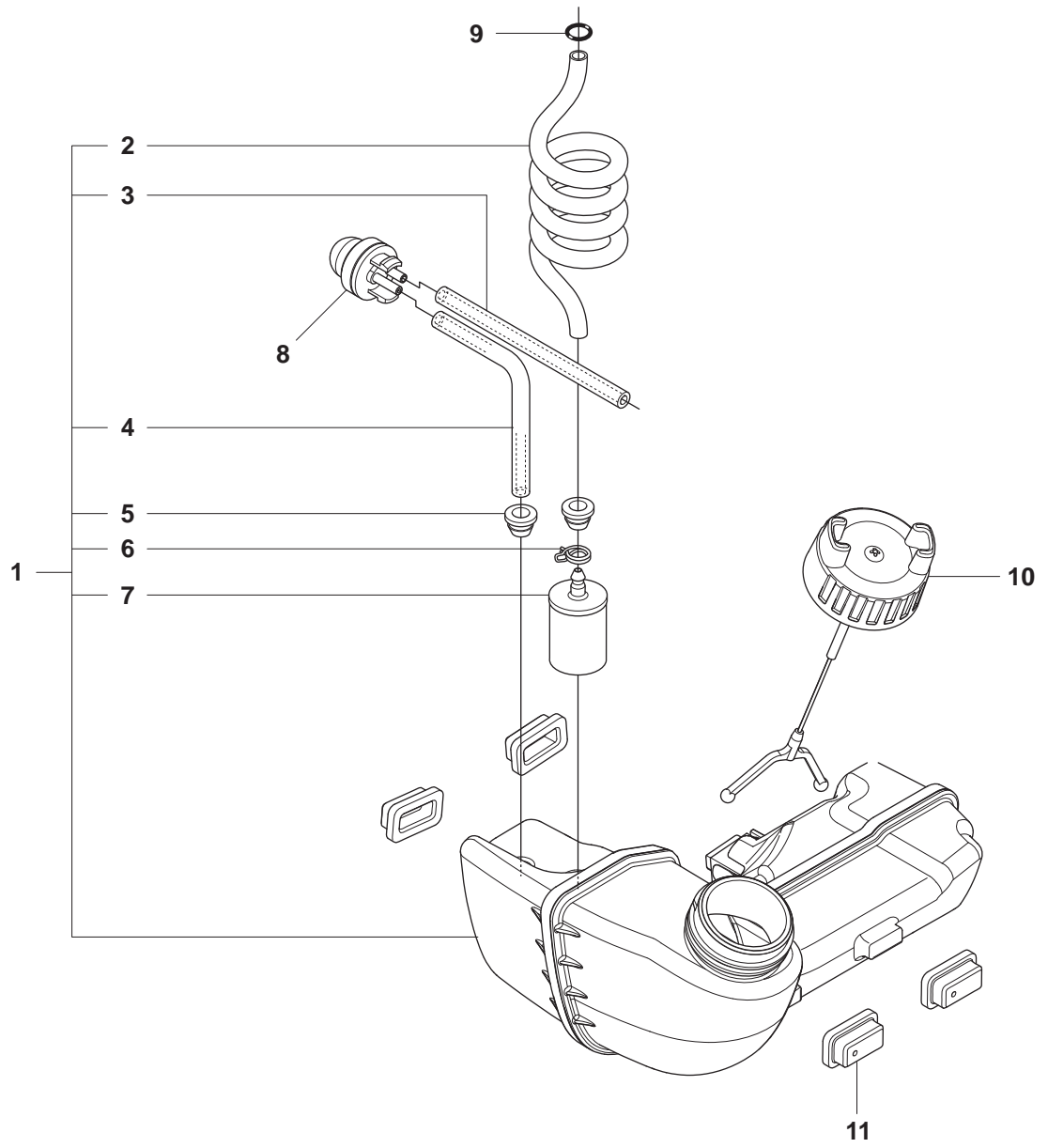
| Position | Article | Quantity | Notes | Kit |
|----------|--------------|----------|---------------|-----|
| 1 | 537 14 31-01 | 1 | | |
| 2 | 503 96 25-01 | 1 | | |
| 3 | 740 68 11-21 | 1 | | |
| 4 | 502 49 90-01 | 1 | | |
| 5 | 503 21 75-50 | 2 | | |
| 6 | 503 21 77-16 | 1 | | |
| 7 | 503 28 34-01 | 1 | Zama C1Q-EL24 | |
| 8 | 503 49 71-01 | 1 | | |
| 9 | 503 93 66-01 | 1 | | |
| 10 | 503 22 65-04 | 2 | | |
| 11 | 503 91 09-01 | 1 | | |
| 12 | 503 94 26-01 | 1 | | |
| 13 | 505 27 10-01 | 2 | | |

E 326Ex STARTER



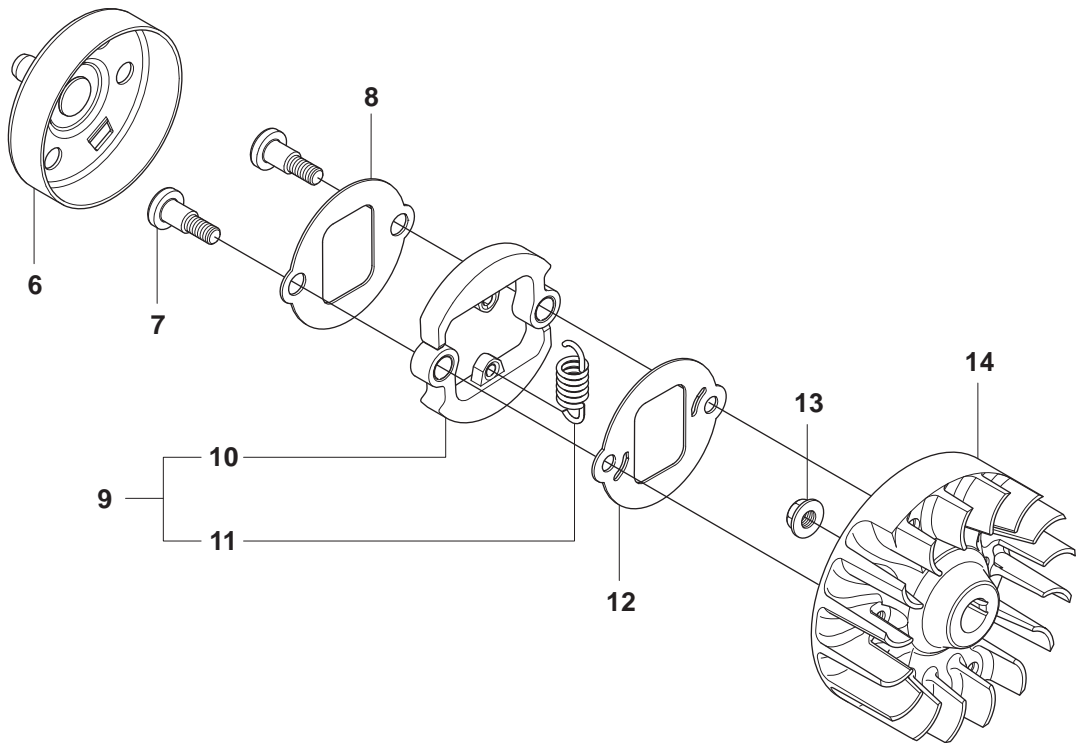
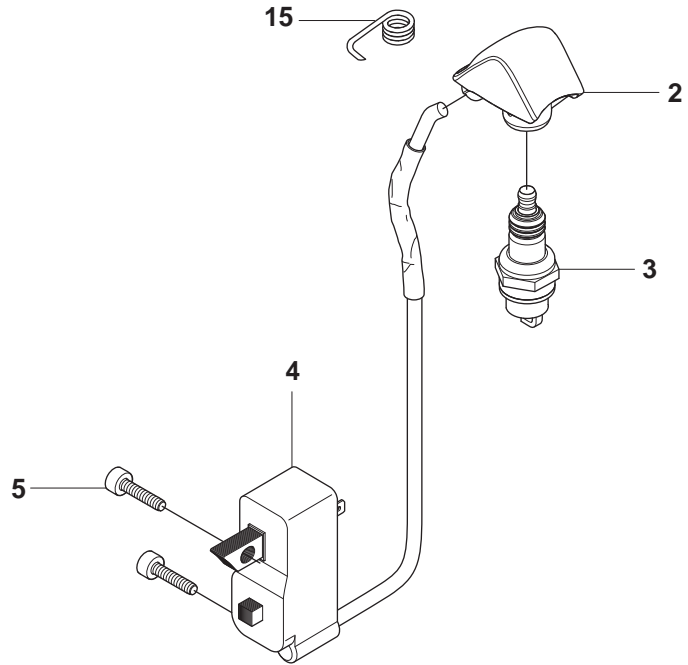
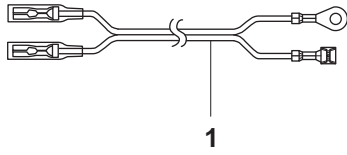
| Position | Article | Quantity | Notes | Kit |
|----------|--------------|----------|-------|------|
| 1 | 503 87 33-05 | 1 | | |
| 2 | 735 31 08-20 | 2 | | 1 |
| 3 | 503 87 36-01 | 2 | | 1 |
| 4 | 503 87 35-02 | 2 | | 1 |
| 5 | 544 07 11-02 | 1 | | |
| 6 | 503 21 77-25 | 1 | | 5 |
| 7 | 544 03 87-02 | 1 | | 5 |
| 8 | 544 03 88-02 | 1 | | 5 |
| 9 | 544 16 65-01 | 1 | | 5 |
| 10 | 537 37 93-02 | 2 | | 5 |
| 11 | 503 85 89-01 | 1 | | 5 |
| 12 | 537 00 84-01 | 1 | | 5 |
| 13 | 537 41 16-01 | 1 | | 5 |
| 14 | 537 37 93-02 | 1 | | 5 |
| 15 | 544 03 86-01 | 1 | | 5, 9 |
| 16 | 503 85 90-01 | 1 | | 5, 9 |
| 17 | 502 08 24-01 | 1 | | |
| 18 | 503 20 03-16 | 1 | M5x16 | |
| 19 | 537 03 41-01 | 1 | | |
| 20 | 503 20 14-12 | 1 | M5x12 | |
| 21 | 503 21 66-18 | 2 | | |
| 22 | 537 35 34-30 | 1 | | |

F 326Ex
FUEL TANK



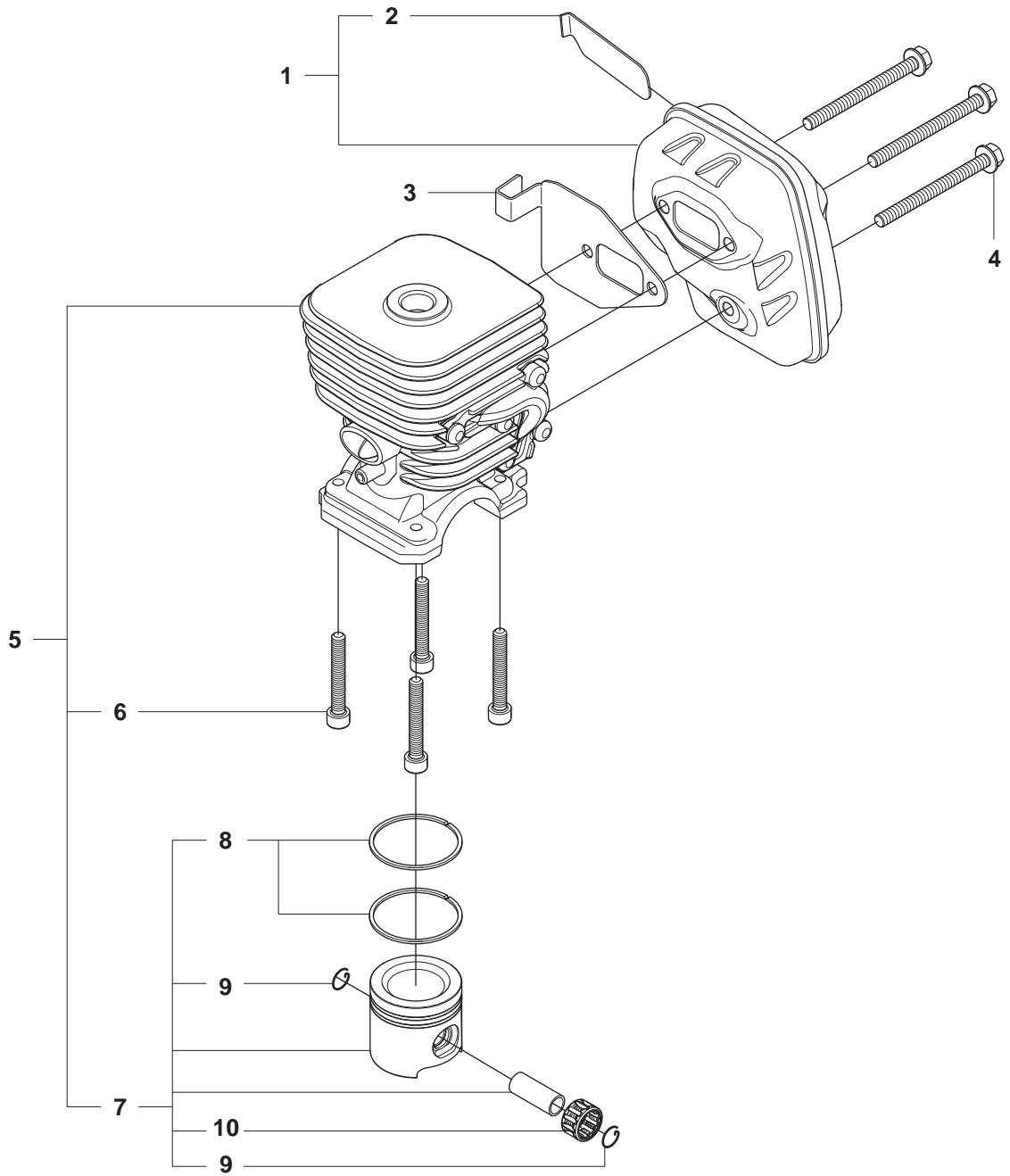
| Position | Article | Quantity | Notes | Kit |
|-----------------|----------------|-----------------|--------------|------------|
| 1 | 506 12 45-01 | 1 | | |
| 2 | 544 32 50-01 | 1 | | 1 |
| 3 | 537 04 24-01 | 1 | | 1 |
| 4 | 537 04 24-01 | 1 | | 1 |
| 5 | 503 73 58-01 | 2 | | 1 |
| 6 | 504 02 24-01 | 1 | | 1 |
| 7 | 503 44 32-01 | 1 | | 1 |
| 8 | 503 93 66-01 | 1 | | |
| 9 | 537 18 49-01 | 1 | | |
| 10 | 544 88 97-02 | 1 | | |
| 11 | 503 91 10-01 | 4 | | |

G 326Ex
IGNITION & CLUTCH



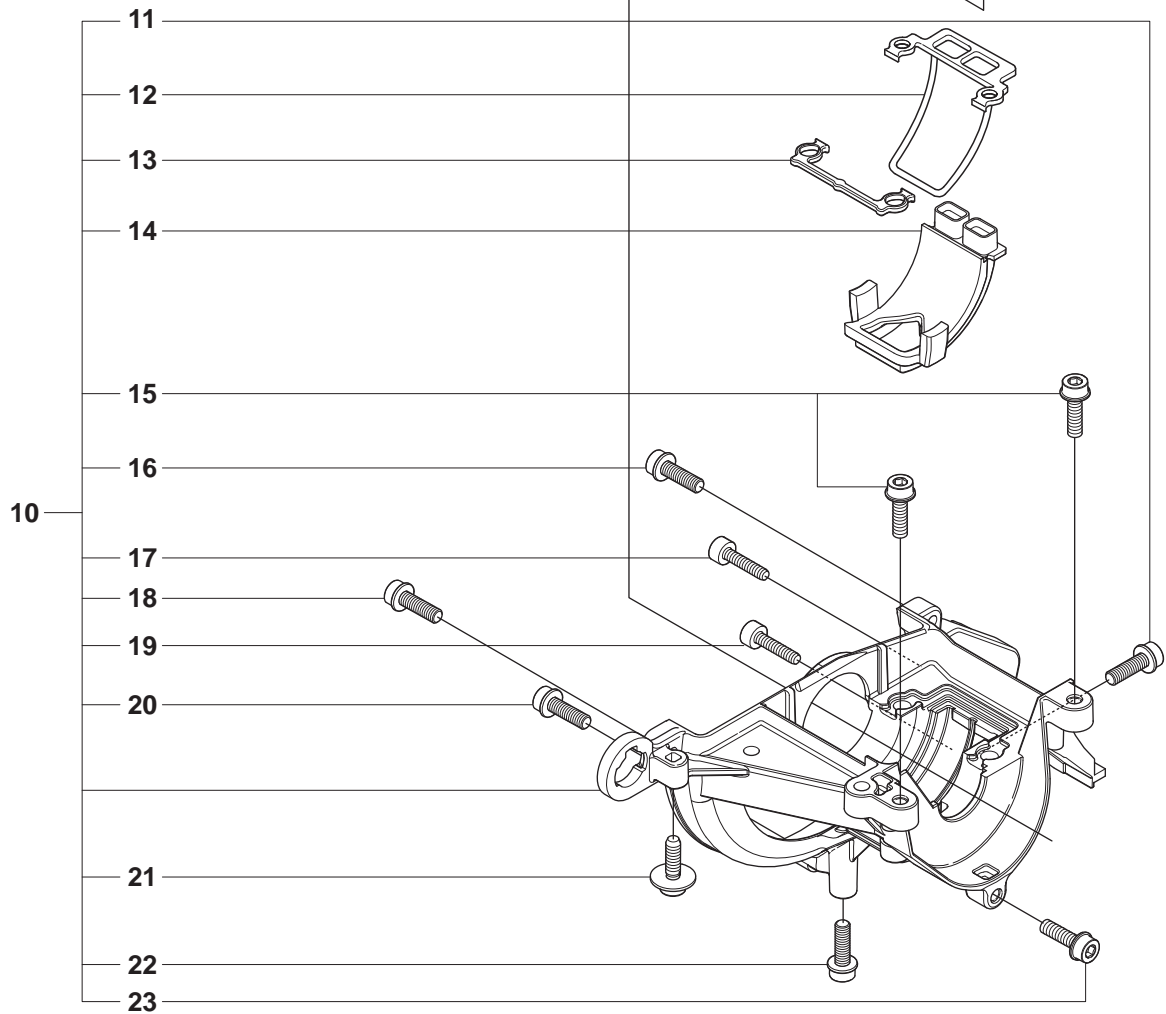
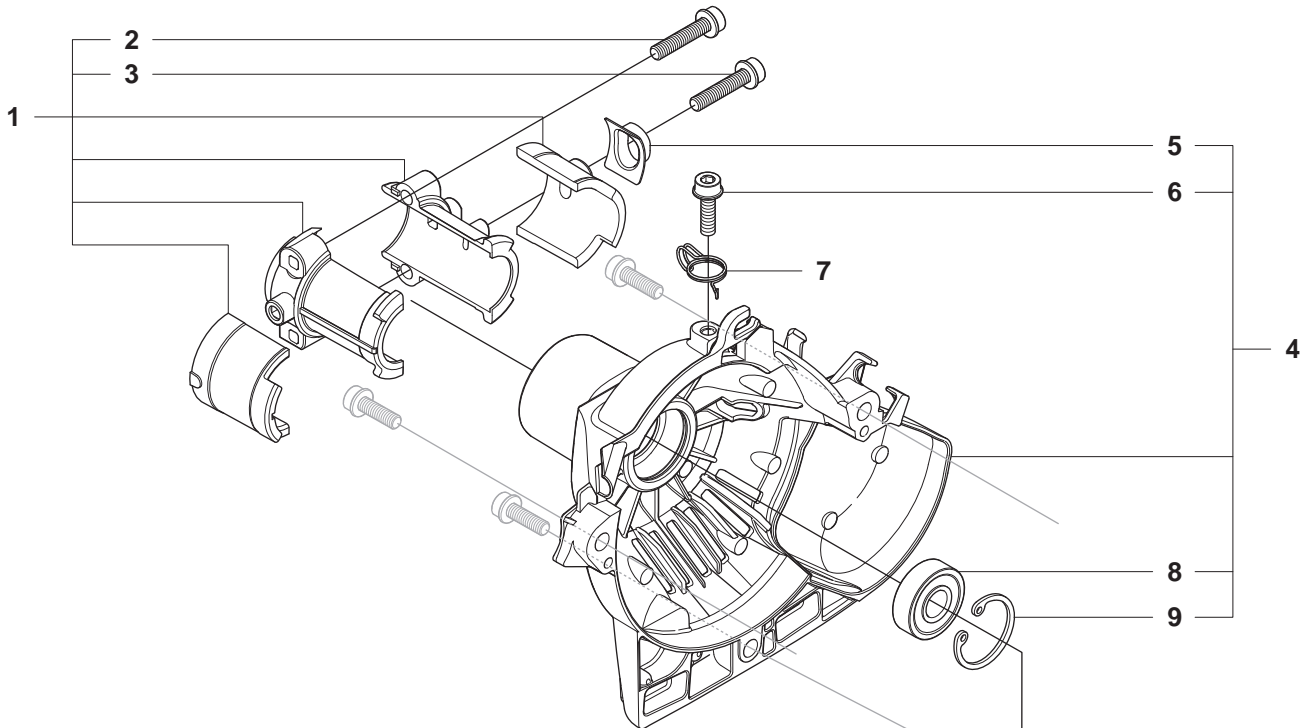
| Position | Article | Quantity | Notes | Kit |
|----------|--------------|----------|-----------------|-----|
| 1 | 502 49 36-01 | 1 | | |
| 2 | 537 43 43-01 | 1 | | |
| 3 | 503 23 51-09 | 1 | Champion RCJ 6Y | |
| 4 | 544 12 70-01 | 1 | | |
| 5 | 503 21 66-18 | 2 | | |
| 6 | 537 23 75-01 | 1 | | |
| 7 | 503 84 29-02 | 2 | | |
| 8 | 537 04 67-02 | 1 | | |
| 9 | 537 03 22-01 | 1 | | |
| 10 | 503 84 28-01 | 2 | | 9 |
| 11 | 503 81 60-01 | 1 | | 9 |
| 12 | 537 04 68-02 | 1 | | |
| 13 | 731 71 16-51 | 1 | | |
| 14 | 537 24 96-02 | 1 | | |
| 15 | 501 48 56-01 | 1 | | |

H 326Ex
CYLINDER PISTON & MUFFLER



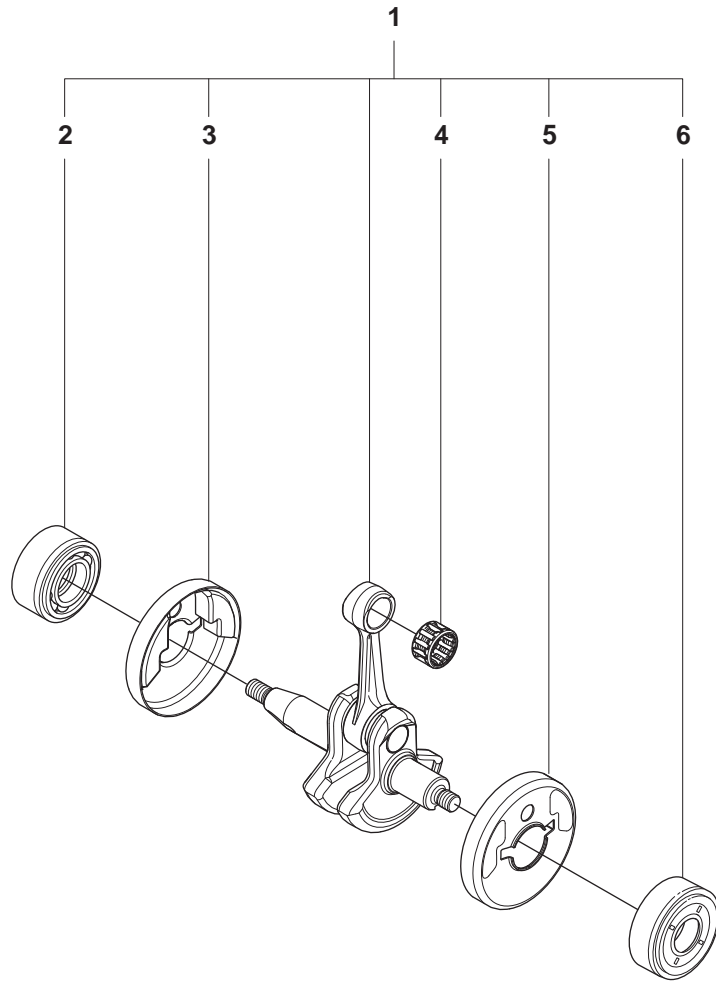
| Position | Article | Quantity | Notes | Kit |
|----------|--------------|----------|--------|-----|
| 1 | 537 22 17-04 | 1 | Cat. | |
| 2 | 537 22 18-01 | 1 | | 1 |
| 3 | 537 01 41-01 | 1 | | |
| 4 | 502 07 81-01 | 3 | | |
| 5 | 537 08 51-03 | 1 | Ø=34mm | |
| 6 | 503 20 07-35 | 4 | | 5 |
| 7 | 537 40 59-02 | 1 | | 5 |
| 8 | 537 40 62-01 | 1 | | 7 |
| 9 | 737 44 08-00 | 1 | | 7 |
| 10 | 503 71 22-01 | 1 | | 7 |

J 326Ex
CRANK CASE



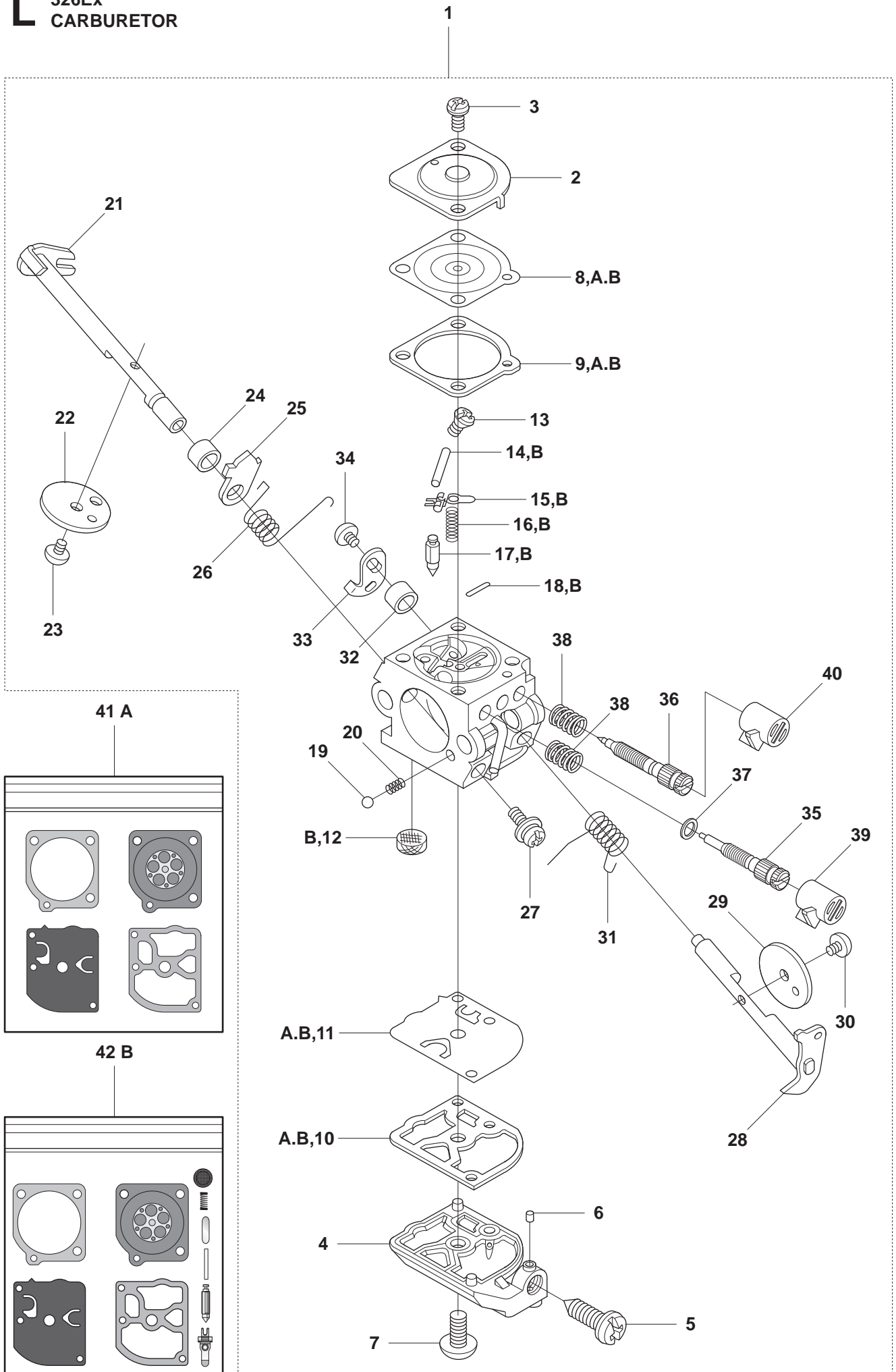
| Position | Article | Quantity | Notes | Kit |
|----------|--------------|----------|-------|-----|
| 1 | 537 30 96-01 | 1 | | |
| 2 | 503 21 68-25 | 1 | | 1 |
| 3 | 503 21 68-25 | 1 | | 1 |
| 4 | 537 04 12-09 | 1 | | |
| 5 | 537 42 50-01 | 1 | | 4 |
| 6 | 503 20 03-16 | 1 | M5x16 | 4 |
| 7 | 537 07 36-01 | 1 | | |
| 8 | 503 25 05-01 | 1 | | 4 |
| 9 | 537 33 67-01 | 1 | | 4 |
| 10 | 537 08 52-02 | 1 | | |
| 11 | 503 20 03-16 | 1 | | 10 |
| 12 | 537 06 69-01 | 1 | | 10 |
| 13 | 537 08 85-01 | 1 | | 10 |
| 14 | 537 06 68-01 | 1 | | 10 |
| 15 | 503 20 03-16 | 1 | | 10 |
| 16 | 503 20 03-16 | 1 | | 10 |
| 17 | 503 21 66-18 | 1 | | 10 |
| 18 | 503 20 03-16 | 1 | | 10 |
| 19 | 503 21 66-18 | 1 | | 10 |
| 20 | 503 20 03-16 | 1 | | 10 |
| 21 | 503 21 77-16 | 1 | | 10 |
| 22 | 503 20 14-12 | 1 | M5x12 | 10 |
| 23 | 503 20 03-16 | 1 | | 10 |

K 326Ex
CRANK SHAFT



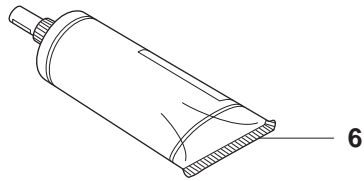
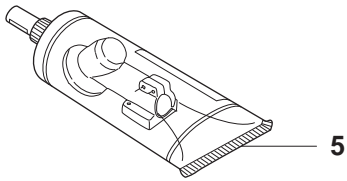
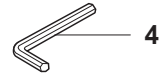
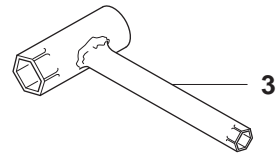
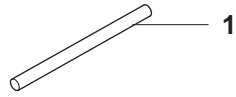
| Position | Article | Quantity | Notes | Kit |
|-----------------|----------------|-----------------|--------------|------------|
| 1 | 503 85 24-74 | 1 | | |
| 2 | 503 94 02-03 | 1 | | 1 |
| 3 | 503 94 05-01 | 1 | | 1 |
| 4 | 503 71 22-01 | 1 | | 1 |
| 5 | 503 94 05-01 | 1 | | 1 |
| 6 | 503 94 02-03 | 1 | | 1 |

**L 326Ex
CARBURETOR**



| Position | Article | Quantity | Notes | Kit |
|----------|--------------|----------|---------------|-------|
| 1 | 503 28 34-01 | 1 | Zama C1Q-EL24 | |
| 2 | 503 97 43-01 | 1 | | 1 |
| 3 | 503 48 05-01 | 2 | | 1 |
| 4 | 537 02 02-01 | 1 | | 1 |
| 5 | 537 02 07-01 | 1 | | 1 |
| 6 | 503 48 11-01 | 1 | | 1 |
| 7 | 503 47 96-01 | 1 | | 1 |
| 8 | 537 04 89-01 | 1 | | 1,A,B |
| 9 | 537 02 04-01 | 1 | | 1,A,B |
| 10 | 537 02 01-01 | 1 | | 1,A,B |
| 11 | 537 02 00-01 | 1 | | 1,A,B |
| 12 | 503 53 57-01 | 1 | | 1,B |
| 13 | 503 48 01-01 | 1 | | 1 |
| 14 | 503 48 00-01 | 1 | | 1,B |
| 15 | 503 66 59-01 | 1 | | 1,B |
| 16 | 537 02 03-01 | 1 | | 1,B |
| 17 | 503 47 97-01 | 1 | | 1,B |
| 18 | 537 02 08-01 | 1 | | 1,B |
| 19 | 537 01 25-01 | 1 | | 1 |
| 20 | 537 01 26-01 | 1 | | 1 |
| 21 | 537 02 09-01 | 1 | | 1 |
| 22 | 537 37 03-01 | 1 | | 1 |
| 23 | 503 48 18-01 | 1 | | 1 |
| 24 | 503 48 19-01 | 1 | | 1 |
| 25 | 537 04 90-01 | 1 | | 1 |
| 26 | 537 02 10-01 | 1 | | 1 |
| 27 | 503 75 53-01 | 1 | | 1 |
| 28 | 537 01 96-01 | 1 | | 1 |
| 29 | 537 01 99-01 | 1 | | 1 |
| 30 | 503 47 92-01 | 1 | | 1 |
| 31 | 537 01 97-01 | 1 | | 1 |
| 32 | 503 47 89-01 | 1 | | 1 |
| 33 | 537 01 98-01 | 1 | | 1 |
| 34 | 503 47 90-01 | 1 | | 1 |
| 35 | 537 02 06-01 | 1 | | 1 |
| 36 | 537 12 78-01 | 1 | | 1 |
| 37 | 503 97 40-01 | 1 | | 1 |
| 38 | 503 48 08-01 | 1 | | 1 |
| 39 | 537 02 16-01 | 1 | | 1 |
| 40 | 537 02 16-01 | 1 | | 1 |
| 41,A | 531 00 45-52 | 1 | | |
| 42,B | 531 00 45-53 | 1 | | |

M 326Ex
ACCESSORIES



| | | | | |
|---|--------------|---|--|--|
| 1 | 502 28 59-01 | 1 | | |
| 2 | 501 60 02-03 | 1 | | |
| 3 | 502 11 46-02 | 1 | | |
| 4 | 502 21 58-01 | 1 | | |
| 5 | 503 97 64-01 | 1 | | |
| 6 | 503 80 17-01 | 1 | | |